

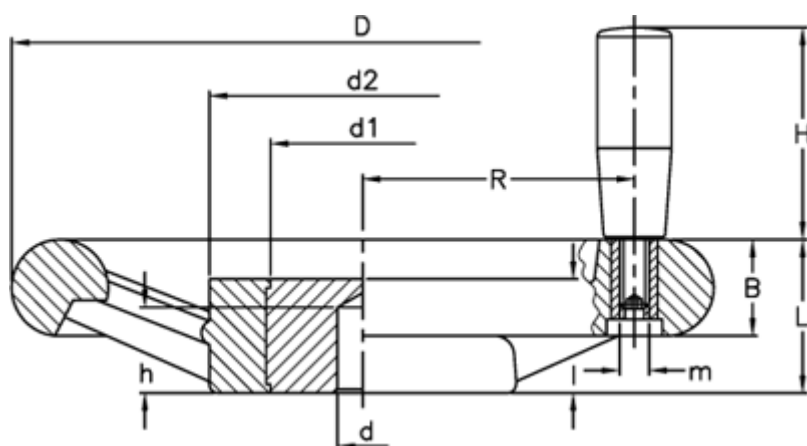
Data Sheet



Article number: 2301080311

Description: E+G Handwheel
VRU.250+I

Measures



B	= 30	I	= 30
C (N m)	= 650	L	= 49
D	= 249	L (J)	= 25
d1	= 68	m	= M10
d2	= 105	R	= 99
d H9	= 12		
H	= 80		
h	= 22		